

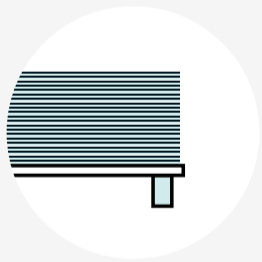


# VITO JUST PAINT INSTALLATION INSTRUCTIONS

HANDLE THE PRODUCT WITH CARE, AND AVOID DAMAGED EDGES!



**DRY ROOMS ONLY**



### STORAGE/TERMS OF CONDITION

Keep the panels stored dry and flat in their packaging until installation. Humidity: 30-60%. Temperature: 15-30 C°. Panels must be kept at minimum 3 days (72 h) in these conditions before installation.



### VISUAL INSPECTION

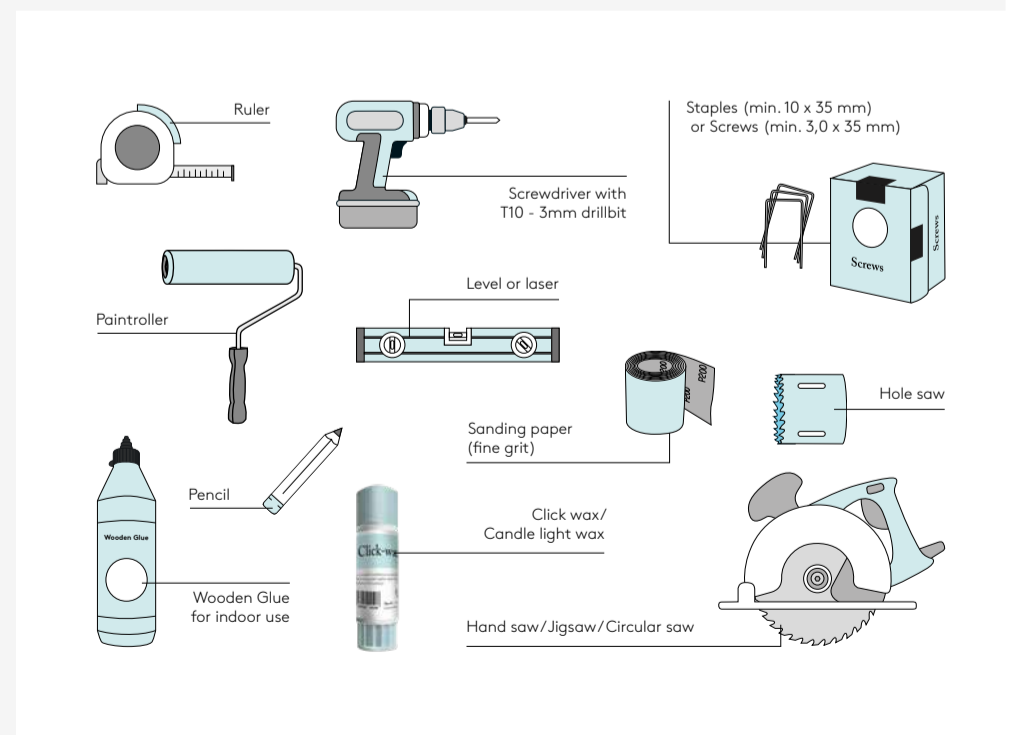
Check for product flaws on surface before installing and painting the panels.



### DO NOT USE IN SHOWERS OR OTHER WET ROOMS!

These panels are designed solely for dry rooms and are not suitable for installation in wet areas.

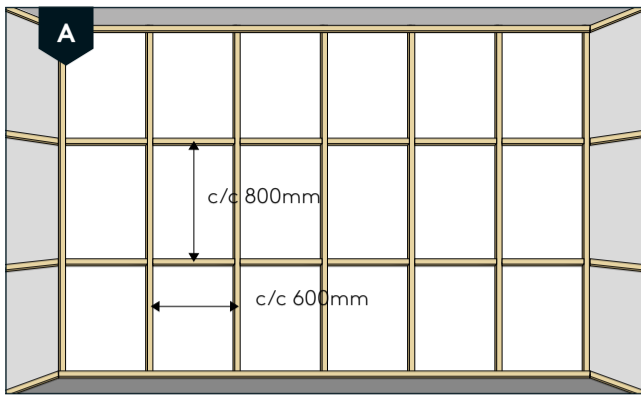
### RECOMMENDED ACCESSORIES



## CHOOSE PREFERRED BACKWALL OPTIONS

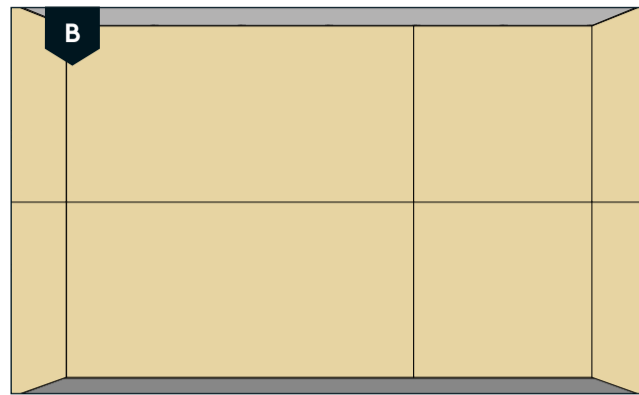
Make sure the backwall is plum and corners are straight. Uneven walls must be corrected before installation. Flatness tolerance: Max. deviation of +/-2 mm/2 meters. For wall surfaces more than 10 meters, an expansion joint of 1 mm per running meter must be included. Ekstra support in backwall must be used if heavy object is to be installed.

### Steel/Wooden studs



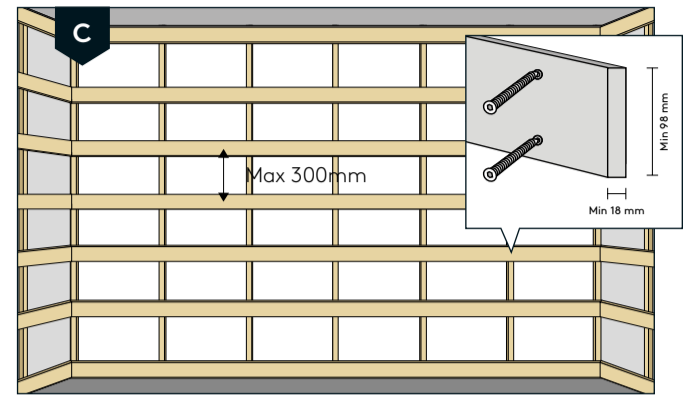
Wooden or steel studs with recommended distances as shown in the illustration. Note: pre-drilling and screws adapted to steel must be used (e.g. Fibo Screws for steel studs 3,5 x 45 mm).

### 15mm OSB class 3/Plywood 12mm/Plasterboard



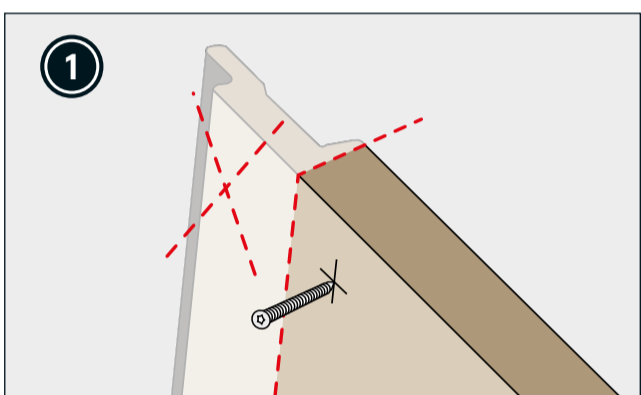
Full-covering wall 240x120 cm. Installed horizontally or vertically. Mark the rear studs for secure fastening if using plasterboards, and make sure that the joints on the drywall is plastered.

### Rough wood 18 mm (Plywood 12mm/OSB class 3)

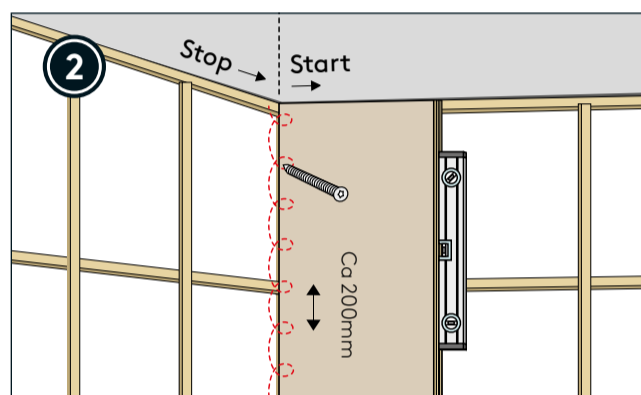


Horizontal battens (e.g., rough wood) with a maximum spacing of 300mm between battens. The battens can be made of rough wood 18mm, plywood 12mm or OSB class 3 min. 15mm.

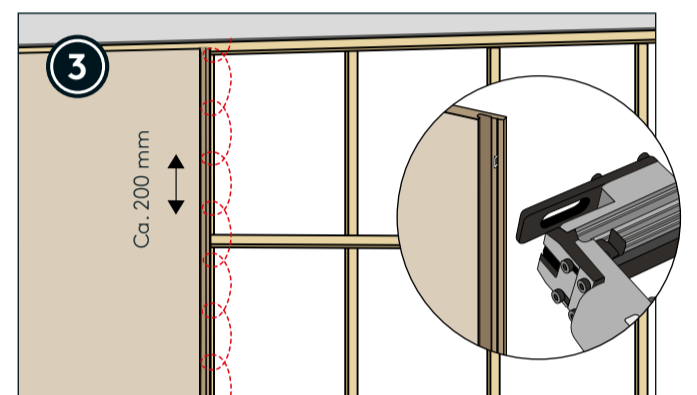
## FOLLOWING THE INSTALLATION INSTRUCTIONS ENSURES OPTIMAL RESULTS



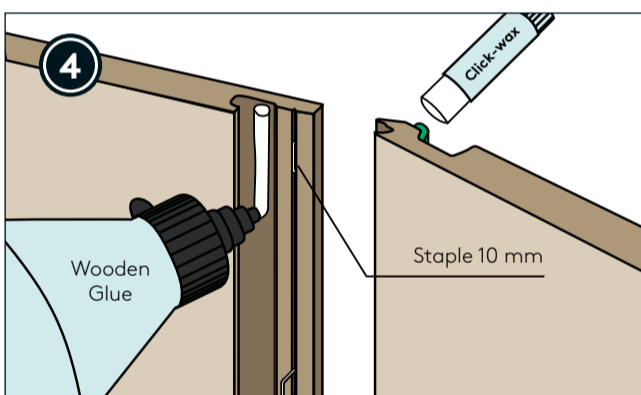
Clean cut first panel. Fasten to the back wall with screws or staples.



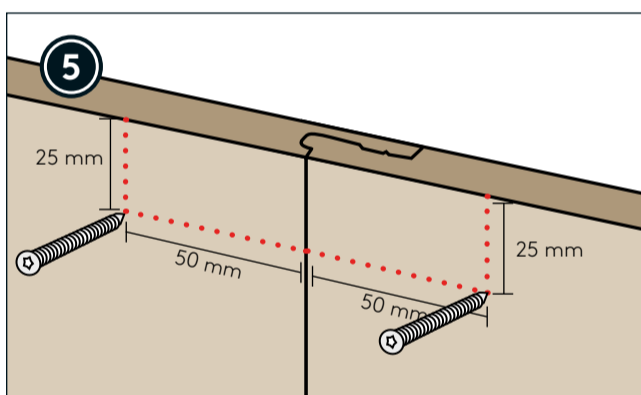
Make sure to fit the first panel plum. Fasten with screws or staples. Between floor/wall and floor/ceiling leave a 5 mm expansion gap.



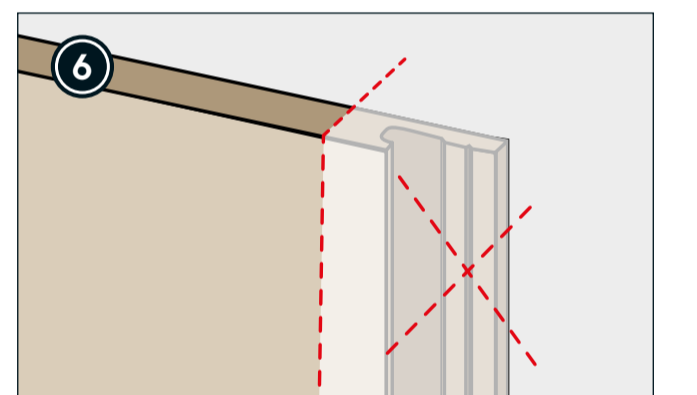
Ideal screw/staple distance is approx 20 cm. It is recommended to use staples in the click-lock to prevent cracking of the wood fibers.



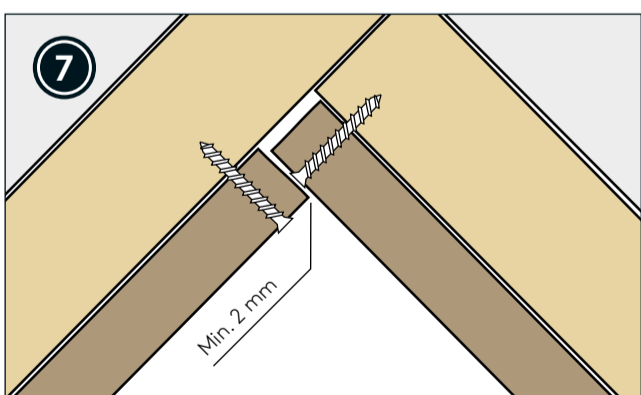
Use wooden glue and Click-wax as shown. Use a gentle rocking movement to prevent damage when connecting the panels. Remove any glue residues from the surface with a damp cloth.



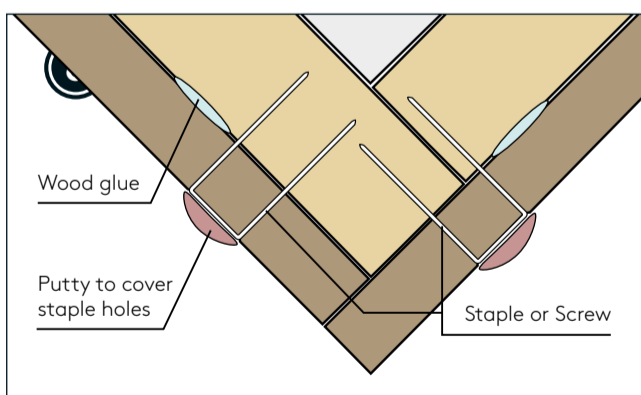
We recommend putting staples/screws 2,5 cm from top and bottom, with 20cm between each., to secure the click-lock. In total 4 staples/screw per panel used in the room is required.



Measure and cut last panel before corner.

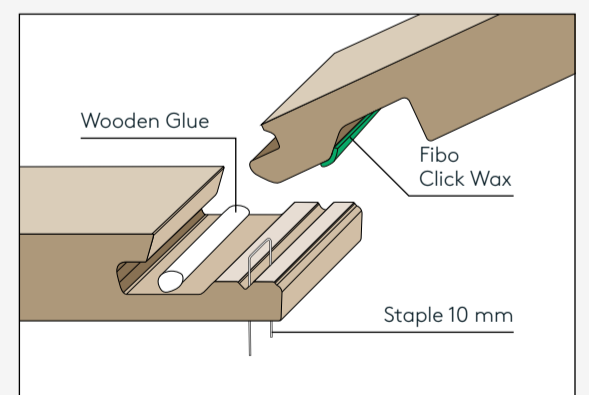


Fasten last panel against corner with screws or staples. Seal the corner with acrylic sealant or putty before painting. The screw/staple will be hidden.



Clean cut the panel edges facing the external corner, and fasten with staples. Cover the staple-holes with putty and sand the corner before painting.

## PAINTING INSTRUCTIONS



- Uneven joints (height differences) must be sanded before painting.
- 3 layers of paint is highly recommended (first layer to be a primer).
- Use of paint roller for smooth finish.
- Small cracks in joints, or damage can be repaired with sparkling compound.
- Get advise on how to best apply paint where you buy your primer, paint and roller.

**FOR USE IN DRY ROOMS ONLY**



WALLS BUILT FOR LIFE

info@fibosystem.com